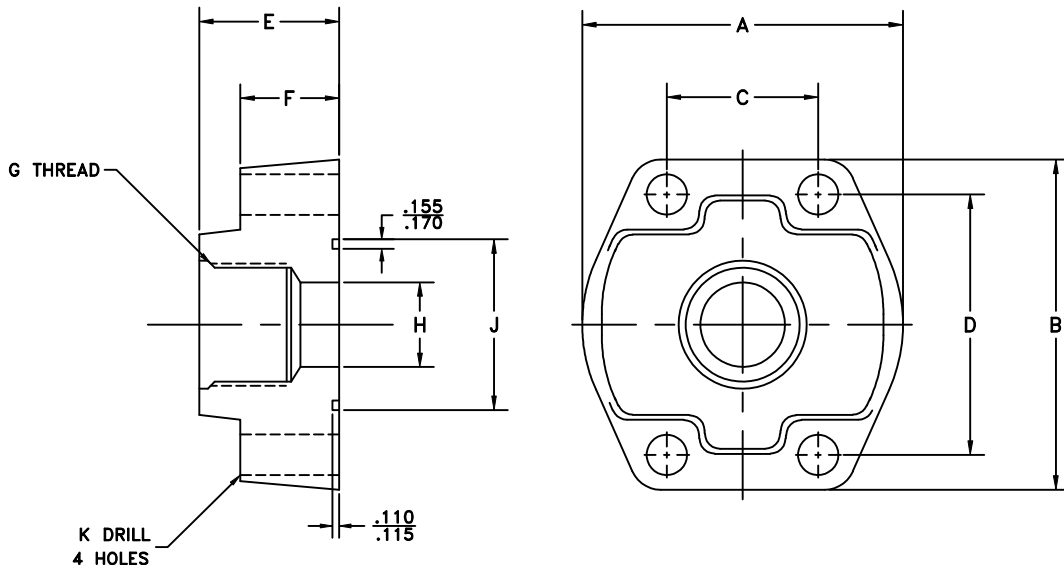


IFP S.A.E. 4 BOLT FLANGE FITTINGS



3000 PSI NPTF THREAD															
PART NO.	PIPE SIZE	A	B	C	D	E	F	G THR. NPTF	H	J MIN.	J MAX.	K DRILL DIA.	BOLTS(ALLEN) 4 REQ.	WASHERS 4 REQ.	O RING
FLI-06PE	.75	2.06	2.56	.875	1.875	1.25	.84	.75	.75	1.250	1.255	.406	3/8-1 1/2"	3/8"	2-210
FLI-08PE	1.00	2.31	2.75	1.031	2.062	1.38	.97	1.00	1.00	1.560	1.565	.406	3/8-1 1/2"	3/8"	2-214
FLI-10PE	1.25	2.88	3.12	1.188	2.312	1.50	1.03	1.25	1.25	1.750	1.755	.469	7/16-1 3/4"	7/16"	2-218
FLI-12PE	1.50	3.25	3.69	1.406	2.750	1.62	1.09	1.50	1.50	2.115	2.125	.531	1/2-2"	1/2"	2-222
FLI-16PE	2.00	3.81	4.00	1.688	3.062	1.62	1.09	2.00	2.00	2.490	2.500	.531	1/2-2"	1/2"	2-226
FLI-20PE	2.50	4.28	4.50	2.000	3.500	2.00	1.47	2.50	2.50	2.995	3.005	.531	1/2-2 1/2"	1/2"	2-230
FLI-24PE	3.00	5.16	5.31	2.438	4.188	2.25	1.59	3.00	3.00	3.615	3.625	.656	5/8 - 2 3/4"	5/8"	2-234

Code 61 design

Supplied complete with mounting hardware
(O-ring, Socket Head Cap Screw & Hi- Collar Lock Washer)