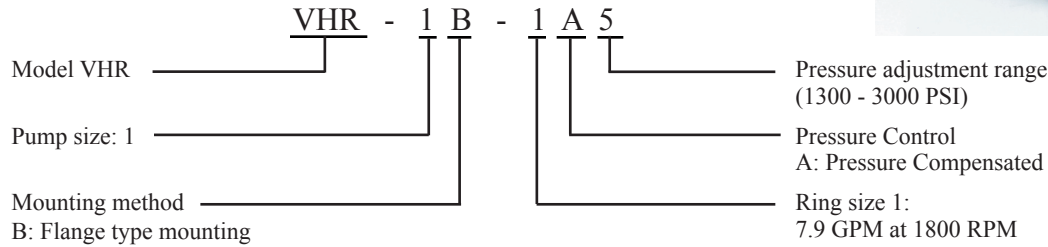
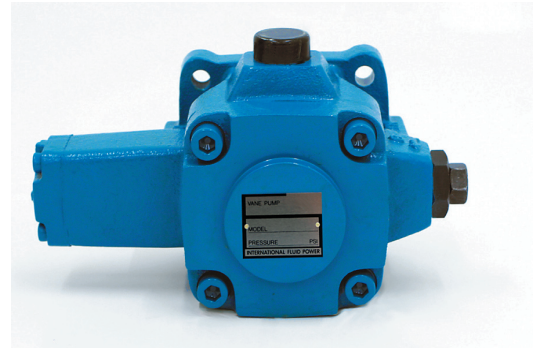


Take advantage of International Fluid Power's industry leading prices on our full product line

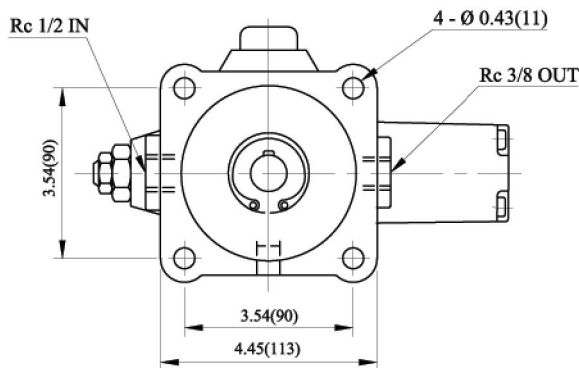
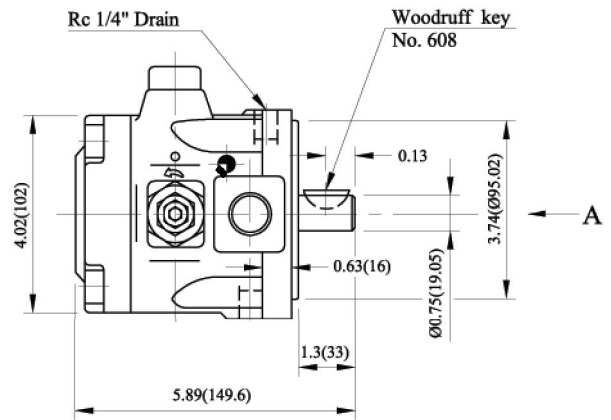
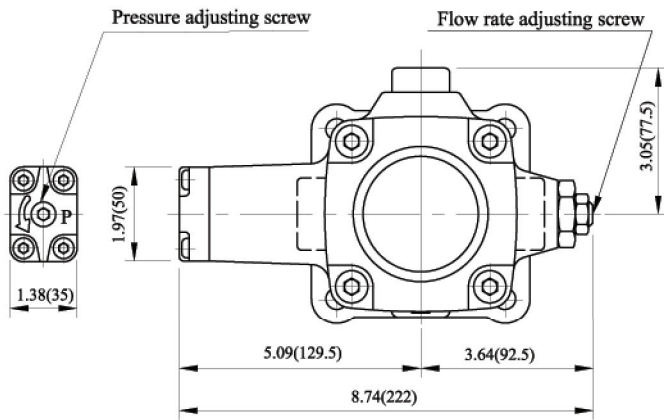
FEATURES:

International Fluid Power's VHR variable volume vane pump is designed with a special bias piston mechanism ensuring stable flow & pressure performance for a wide variety of precision applications. Quiet journal bearings and optimum suction-discharge port design minimize operating noise. VHR are equipped with adjustable flow & pressure adjustments to meet your applications in a compact pump design.



Model No.	Capacity in ³ /rev	No - load Flow Rate (GPM)				Pressure Adjustment Range Mpa (kgf/cm ²)	Allowable Peak Pressure Mpa (kgf/cm ²)	Operating Speed RPM		Weight lbs
		1000 RPM	1200 RPM	1500 RPM	1800 RPM			Min.	Max.	
VHR-1B-1A5	1.02	4.4	5.3	6.6	7.9	1300 - 3000 PSI	3000 PSI	800	1800	20

*Additional flow sizes available upon request



43105 Business Park Drive
Temecula, CA 92590 USA

West Coast Toll Free (800) 432-6405
Visit our updated Website: www.intlfp.com

COAST TO COAST LOCATIONS
TO BETTER SERVICE YOUR REQUIREMENTS

Toll Free Phone (888) 220-1414
Toll Free Fax (888) 220-1415

4600 Garand, Montreal
Qc H4R 2A2 Canada

East Coast Toll Free (800) 363-8446
E-Mail: info@intlfp.com