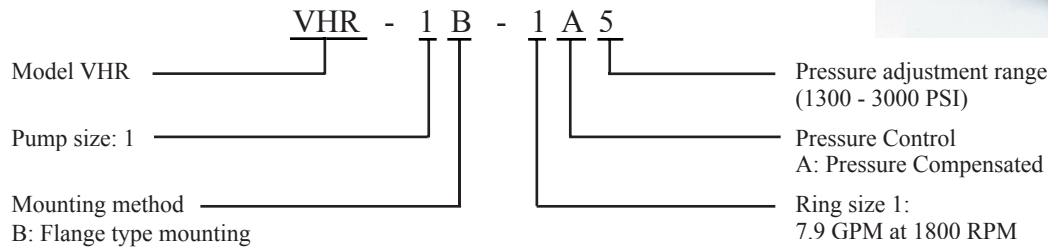


Take advantage of International Fluid Power's industry leading prices on our full product line

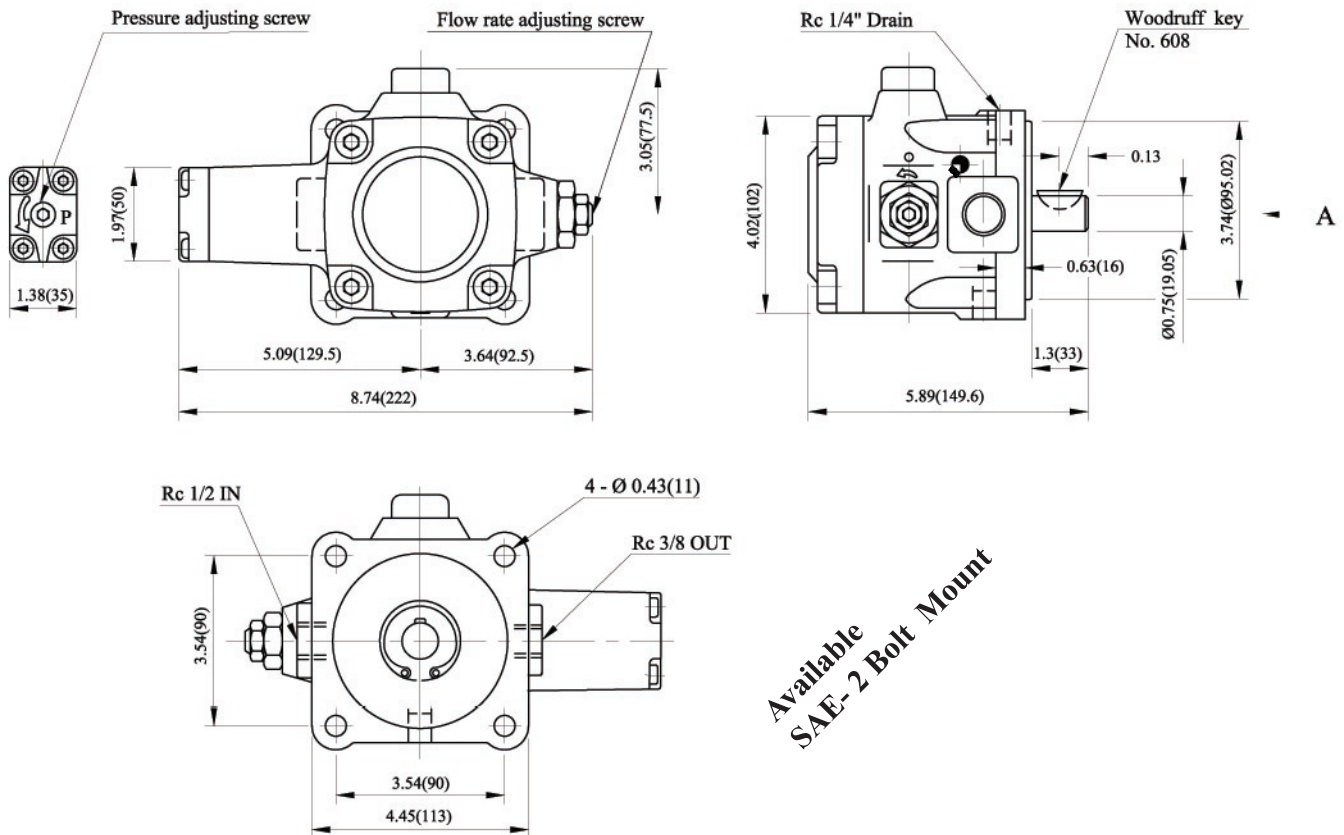
FEATURES:

International Fluid Power's VHR variable volume vane pump is designed with a special bias piston mechanism ensuring stable flow & pressure performance for a wide variety of precision applications. Quiet journal bearings and optimum suction-discharge port design minimize operating noise. VHR are equipped with adjustable flow & pressure adjustments to meet your applications in a compact pump design.



Model No.	Capacity in ³ /rev	No - load Flow Rate (GPM)				Pressure Adjustment Range Mpa (kgf/cm ²)	Allowable Peak Pressure Mpa (kgf/cm ²)	Operating Speed RPM		Weight lbs
		1000 RPM	1200 RPM	1500 RPM	1800 RPM			Min.	Max.	
VHR-1B-1A5	1.02	4.4	5.3	6.6	7.9	1300 - 3000 PSI	3000 PSI	800	1800	20

*Additional flow sizes available upon request



Available SAE- 2 Bolt Mount

43105 Business Park Drive Temecula, CA 92590 USA	COAST TO COAST LOCATIONS TO BETTER SERVICE YOUR REQUIREMENTS	4600 Garand, Montreal Qc H4R 2A2 Canada
West Coast Toll Free (800) 432-6405 Visit our updated Website: www.intlfp.com	Toll Free Phone (888) 220-1414 Toll Free Fax (888) 220-1415	East Coast Toll Free (800) 363-8446 E-Mail: info@intlfp.com