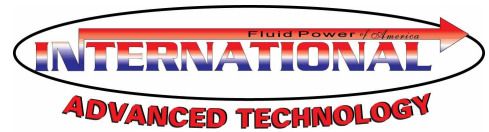
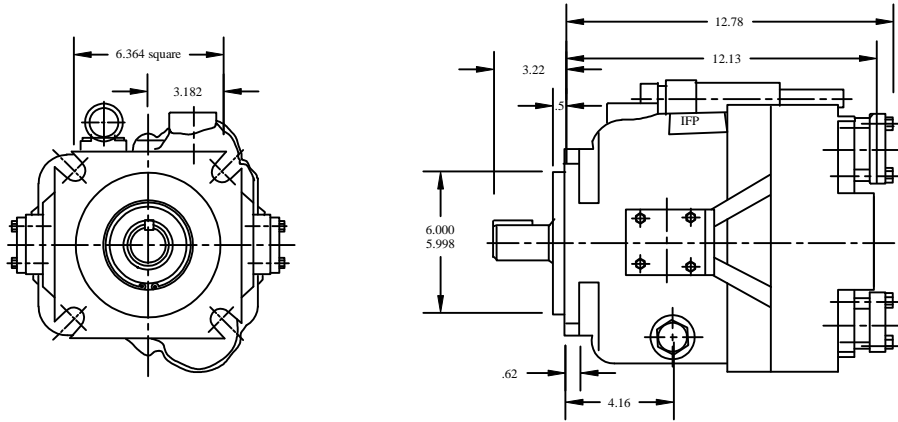


# IFP PVB45 INSTALLATION DIMENSIONS

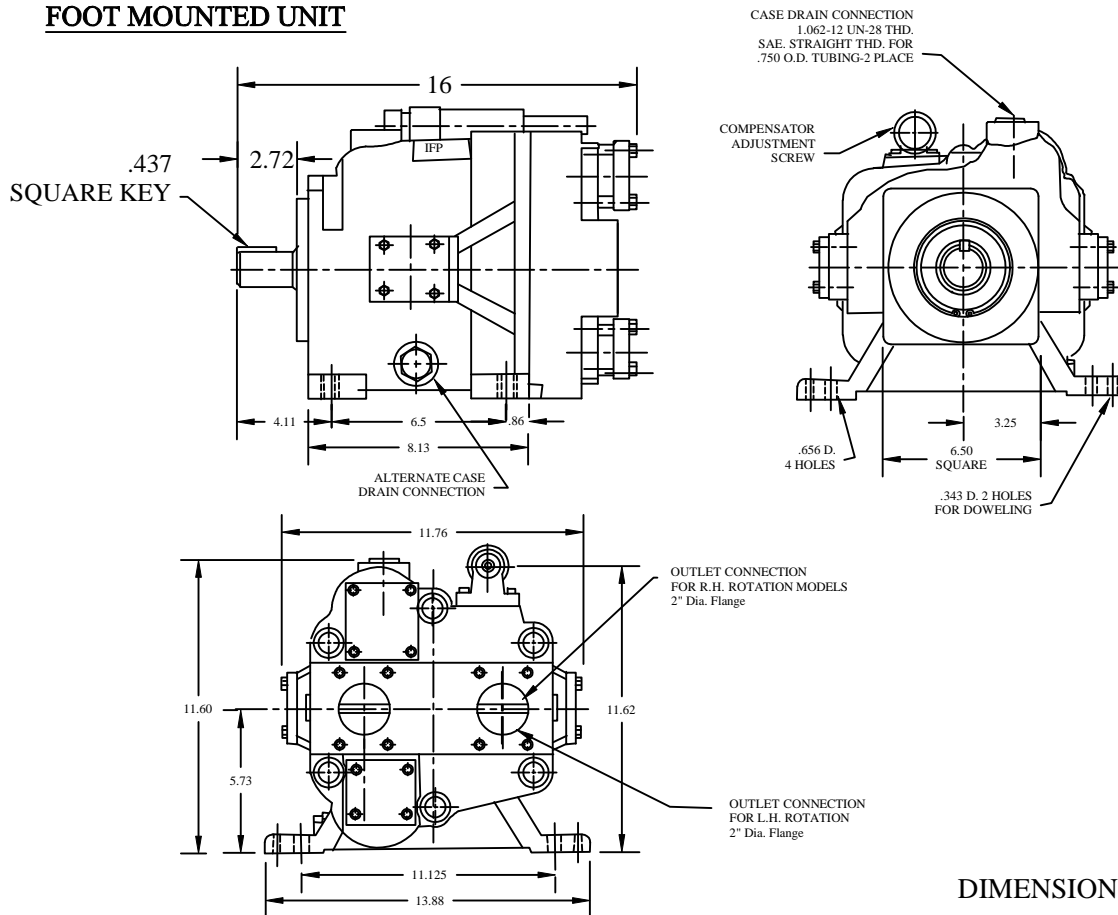


## FLANGE MOUNTED UNIT



DIMENSION (INCHES)

## FOOT MOUNTED UNIT



DIMENSION (INCHES)