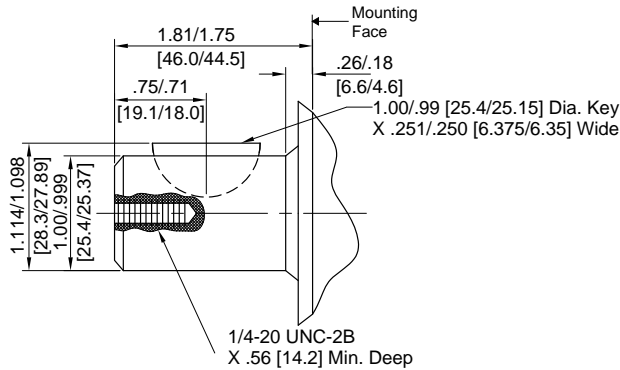


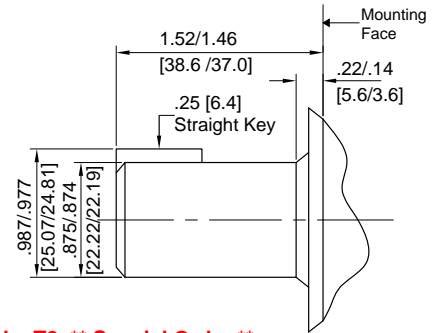
IFP BML MOTOR DRIVE SHAFT SPECIFICATIONS



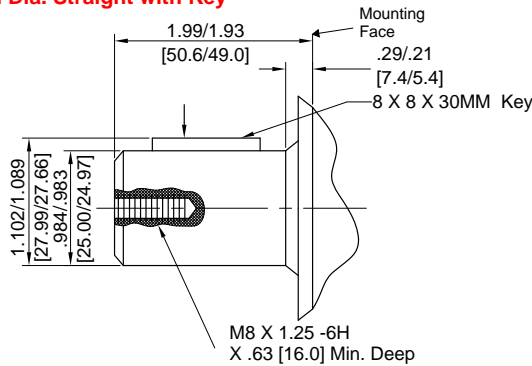
Code: K ** Standard shaft **
1 Inch Dia. Straight with Woodruff Key



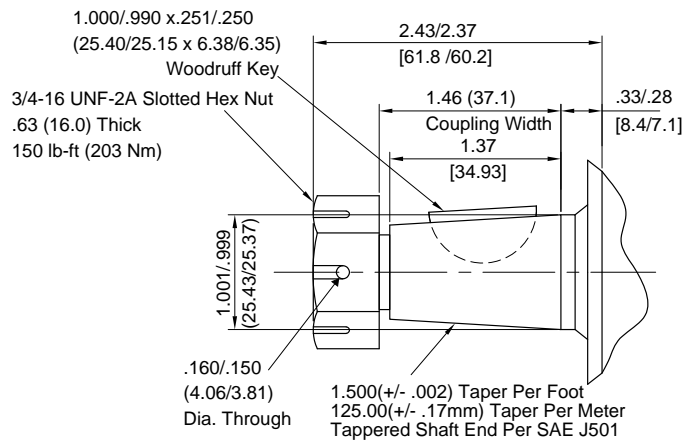
Code: D ** Special Order **
7/8 Inch Dia. Straight Shaft with Key



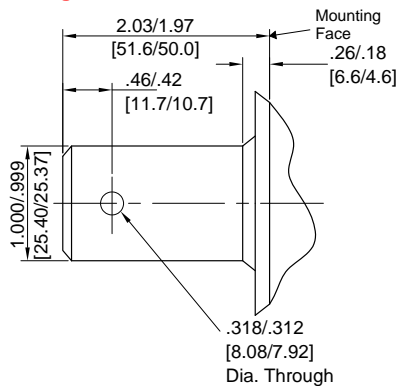
Code: A ** Special Order **
1 Inch Dia. Straight with Key



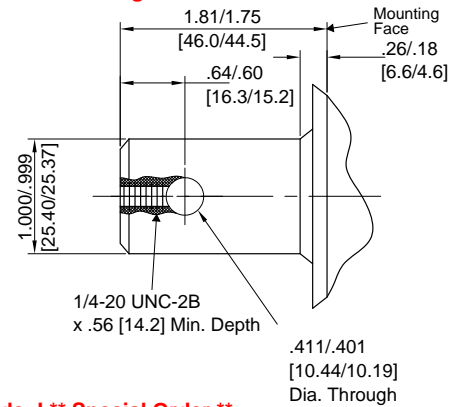
Code: T2 ** Special Order **
1 Inch Dia. Tapered Shaft With Woodruff Key & Nut



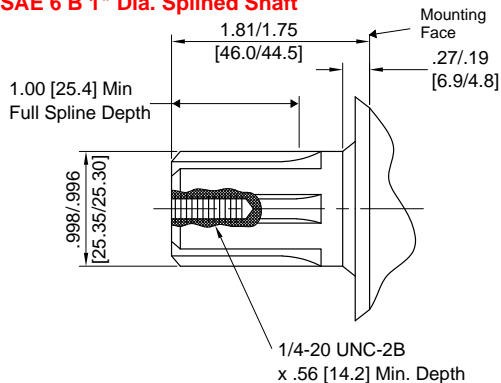
Code: H1 ** Special Order **
1 Inch Dia. Straight Shaft with .315 Crosshole



Code: H ** Special Order **
1 Inch Dia. Straight Shaft with .406 Crosshole



Code: S ** Special Order **
SAE 6 B 1" Dia. Splined Shaft



Code: I ** Special Order **
7/8" Dia. 13 tooth SAE-B Splined Shaft

