

# IFP DG03 SOLENOID OPERATED DIRECTIONAL CONTROL VALVE SIZE NG-6/CETOP-03

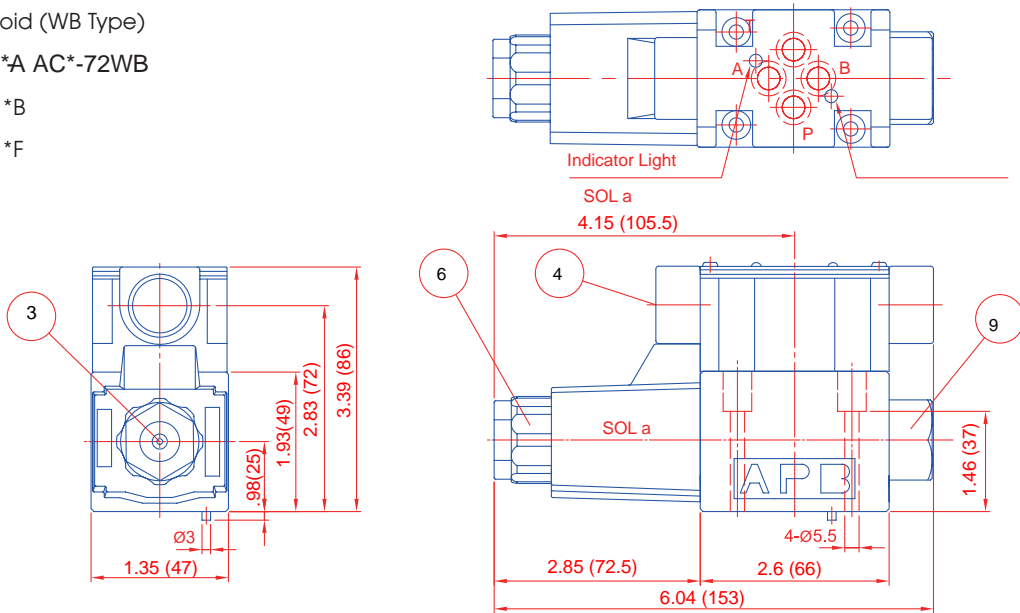
**DIMENSIONS:**

AC solenoid (WB Type)

■ DG03-\*A AC\*-72WB

\*B

\*F

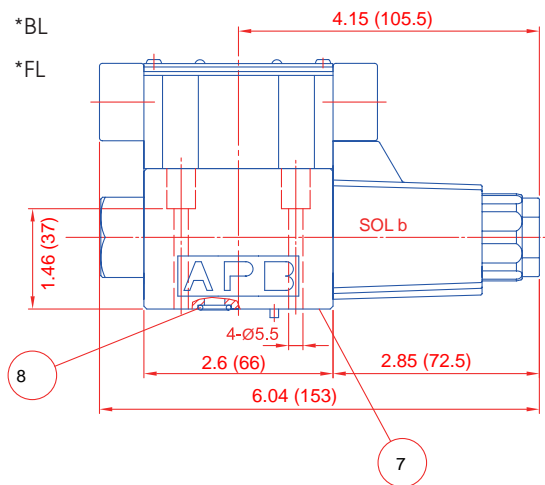


Dimensions: inches (mm)

■ DG03-\*AL-AC\*-72WB

\*BL

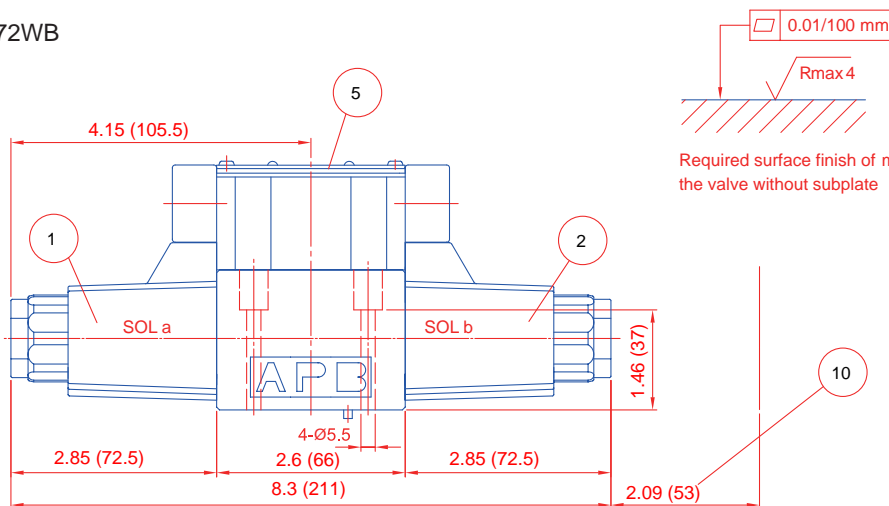
\*FL



- 1: Solenoid a
- 2: Solenoid b
- 3: Push pin for manual operation
- 4: Lead wire take-out (G1/2")
- 5: Nameplate
- 6: Lock nut with torque in the range 4~6 N.m
- 7: Connections to DIN 24340 from A6; valve fixing screws M5x45 DIN 912-10.9 tightening torque 5~7 Nm
- 8: O-ring P9 N90
- 9: Plug for valves with 1 solenoid
- 10: Coil removable length

■ DG03-\*C-AC\*-72WB

\*N



Dimensions: inches (mm)