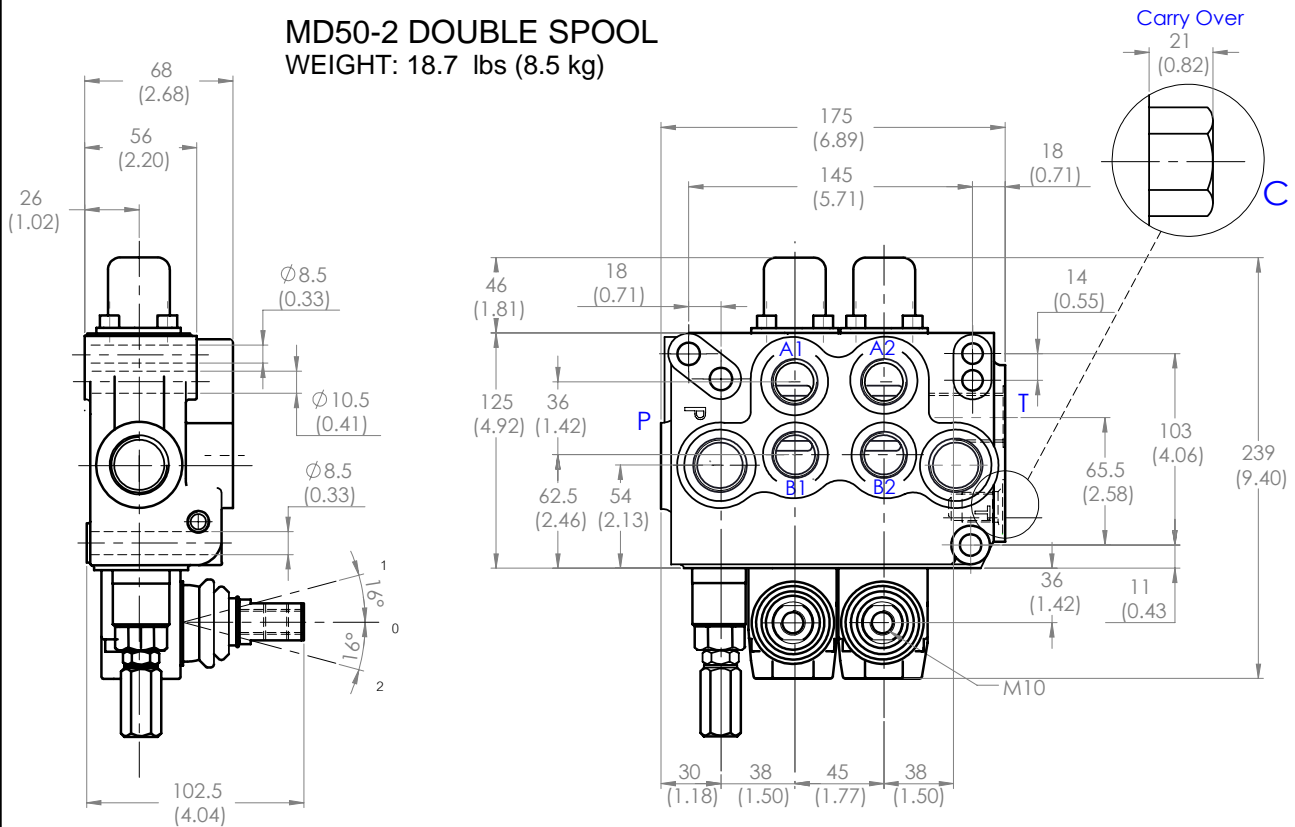


MD50 DOUBLE / TRIPLE SPOOL DIMENSIONAL DRAWING



MD50-2 DOUBLE SPOOL
WEIGHT: 18.7 lbs (8.5 kg)



MD50-3 TRIPLE SPOOL
WEIGHT: 25.4 lbs (11.5 kg)

