

# IFP MD50 MANUALLY OPERATED MONOBLOCK VALVE



## FEATURES

- \* Adjustable Balanced Piston Relief Valve
- \* Power Beyond / Closed Center Available
- \* Integral Load Holding Check Valve
- \* Optional Pilot Operated Check Valves
- \* Single / Double acting & Motor spools
- \* Spring Return or Detent



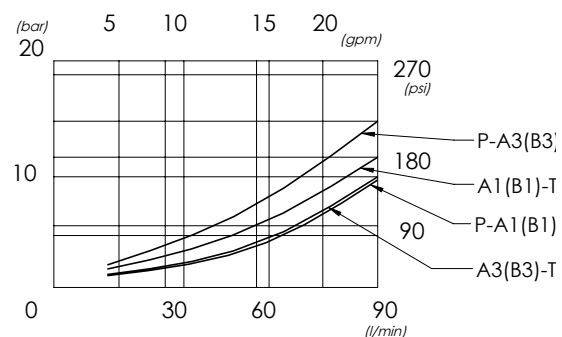
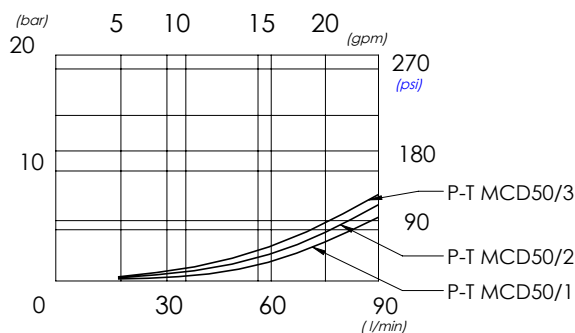
## MD50 ORDERING CODE

**IFP MD 50 1 C S D P 71**

**Monoblock Valve** | **Valve Series** 50 = 30 GPM | **Number of Spools** 1 = 1 Spool, 2 = 2 Spool, 3 = 3 Spool | **Spool Type** C = Double Acting, S = Single Acting, M = Motor Spool | **Port Type** S = SAE (Std), N = NPT, B = BSP | **Spool Function** No Code = Spring Return, D = Detent | **Tank Port** No Code = Open Center, C = Closed Center, P = Power Beyond | **Design Number** 71

Model	MD50
Maximum Flow	30 US gpm (95 l/min)
Recommended flow	18 US gpm (70 l/min)
Maximum Pressure	5000 PSI (350 bar)
Maximum Back Pressure	1160 PSI (80 bar)
Leakage @1500 PSI (100bar)	0.125 in3/min (1 cm3/min)
Weight MD50 -1	12.1 lbs (5.5 kg)
Weight MD50 -2	18.7 lbs (8.5 kg)
Weight MD50 -3	25.4 lbs (11.5 kg)

Valve Ports			
Thread	Port - A & B	Pressure	Tank
SAE	SAE-10	SAE- 12	SAE- 12
NPT	1/2"	3/4"	3/4"
BSP	1/2"	3/4"	3/4"



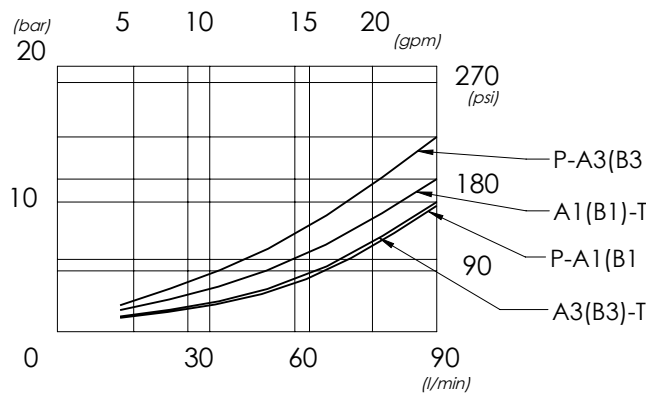
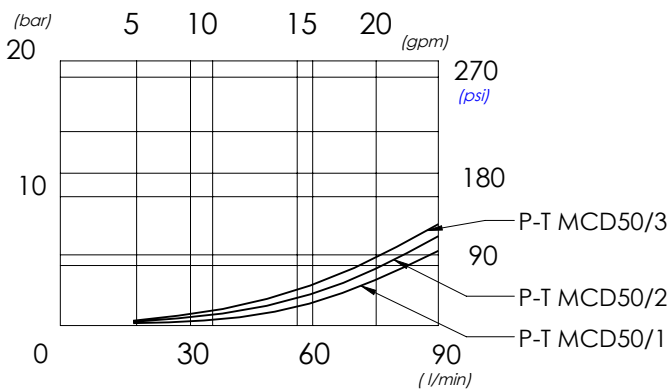
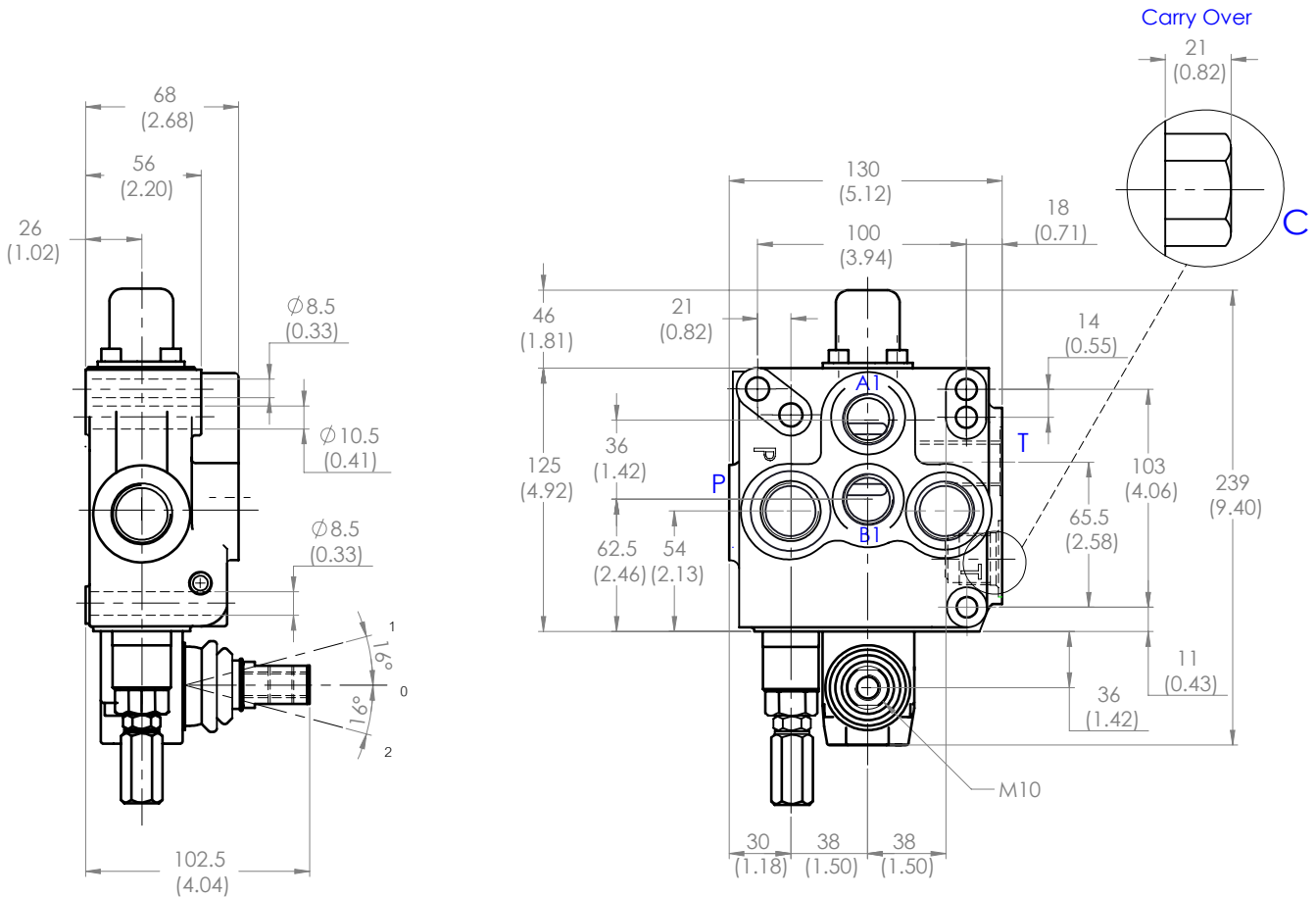
# IFP MD50 SINGLE SPOOL DIMENSIONAL DRAWING



### Standard working conditions

Max. recommended flow	70 l/min	(18 GPM)
Max. pressure	350 bar	(5100 PSI)
Max. backpressure	80 bar	(1160 PSI)

Thread	Port A-B	Port P-C	Port T
BSP	1/2"	1/2"	3/4"
	3/4"	3/4"	3/4"
SAE	SAE10	SAE12	SAE12

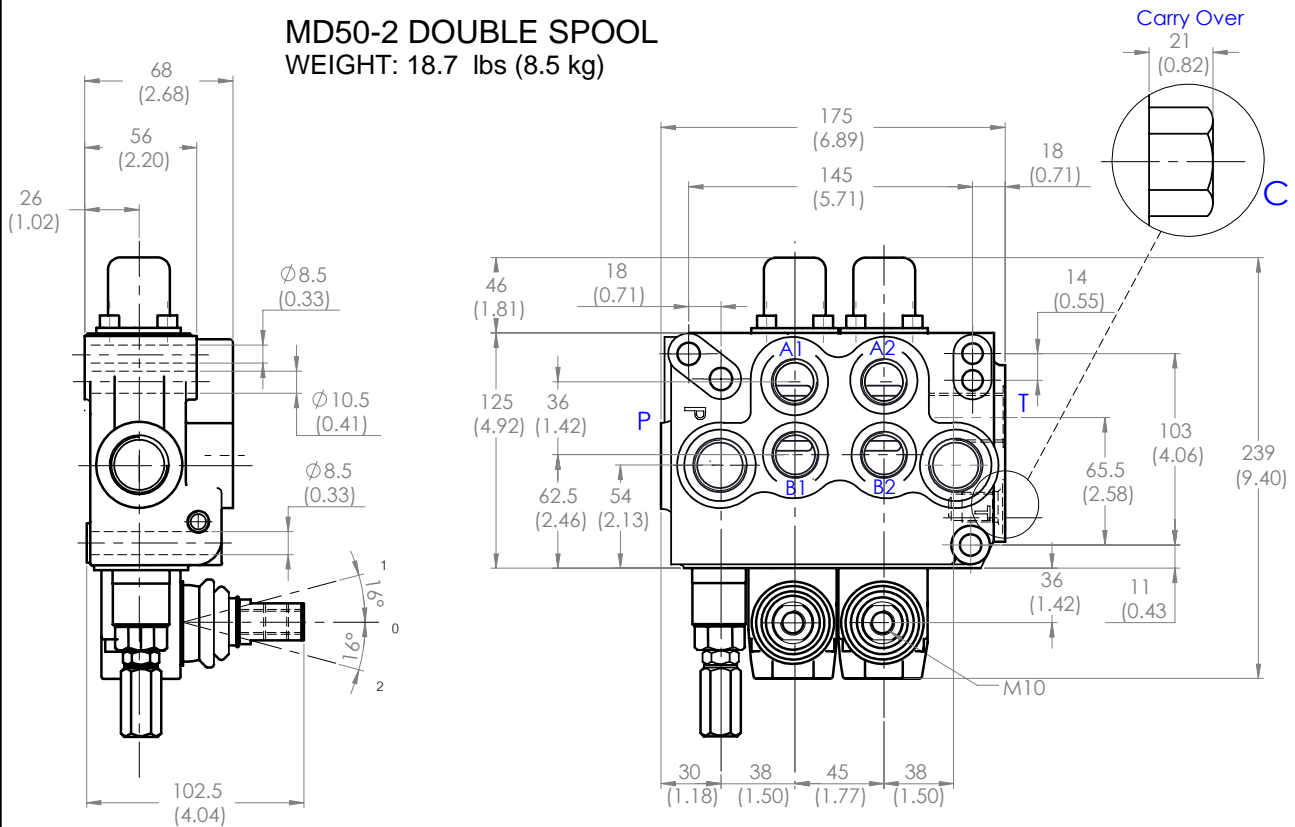


PRESSURE DROP

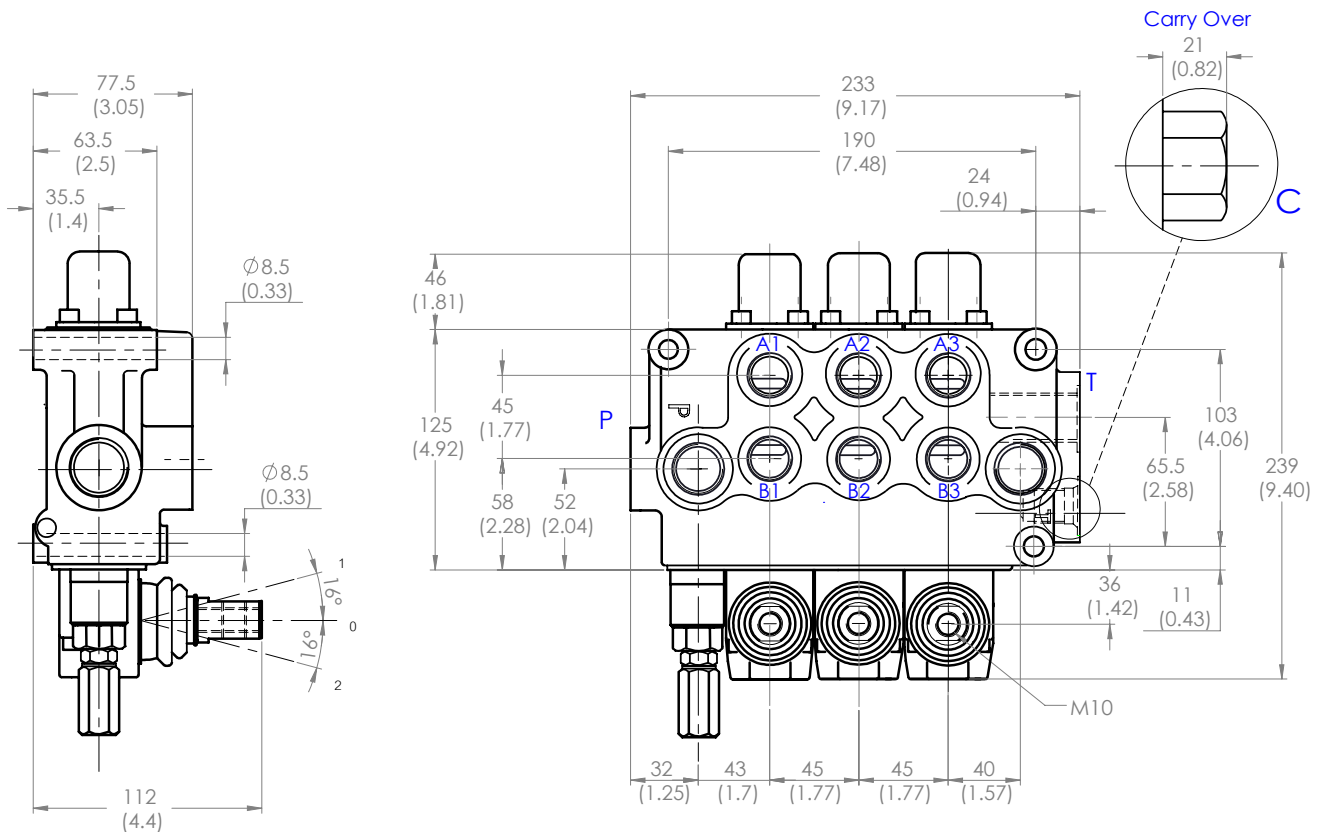
# MD50 DOUBLE / TRIPLE SPOOL DIMENSIONAL DRAWING



**MD50-2 DOUBLE SPOOL**  
WEIGHT: 18.7 lbs (8.5 kg)

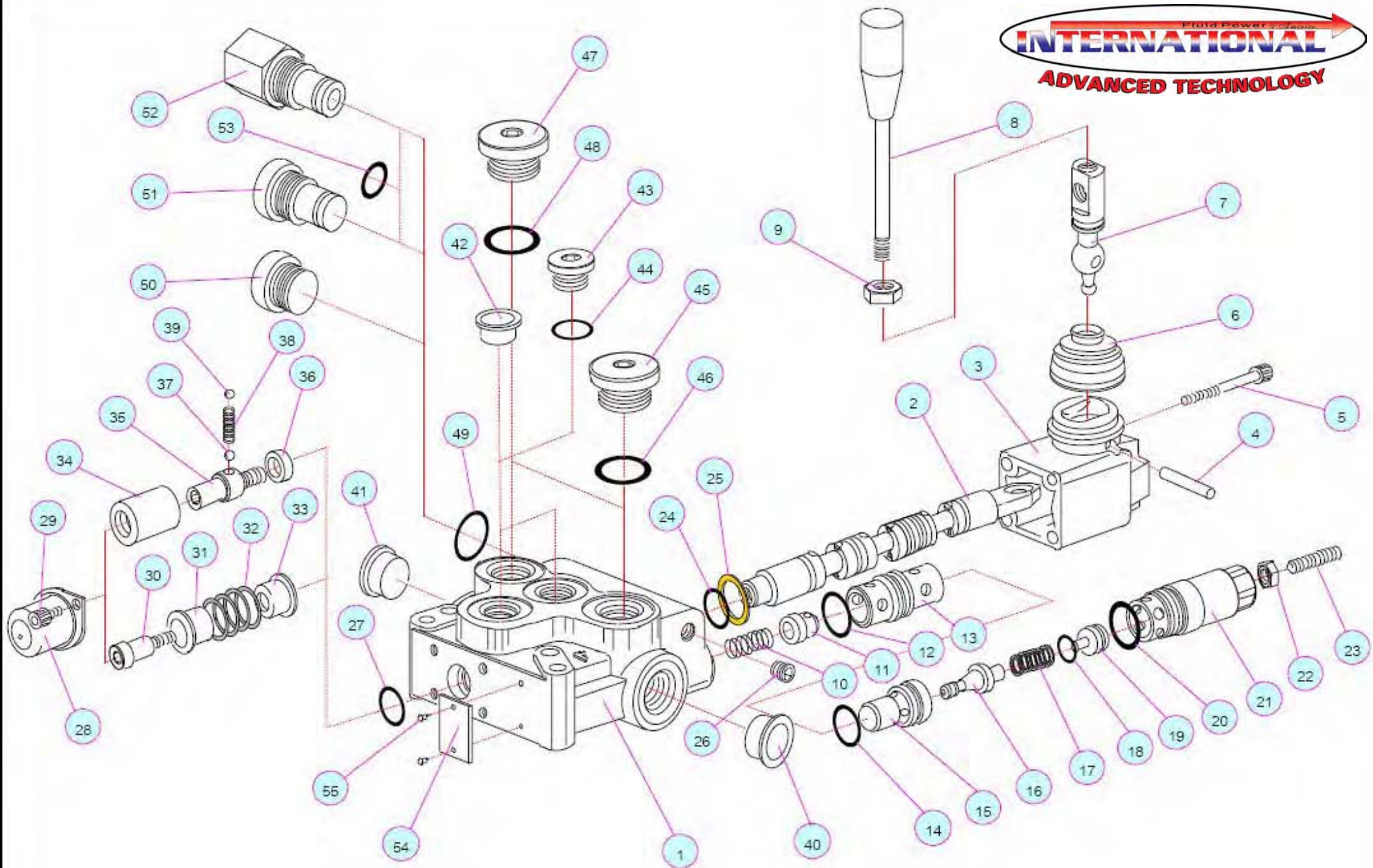


**MD50-3 TRIPLE SPOOL**  
WEIGHT: 25.4 lbs (11.5 kg)



# PARTS DRAWING: IFP MD50-1 / 1-SECTION MONOBLOCK VALVE

Date: OCTOBER 14-2008



# PARTS DRAWING: IFP MD50-2 2 SECTION MONOBLOCK VALVE

Date: OCTOBER 14-2008

