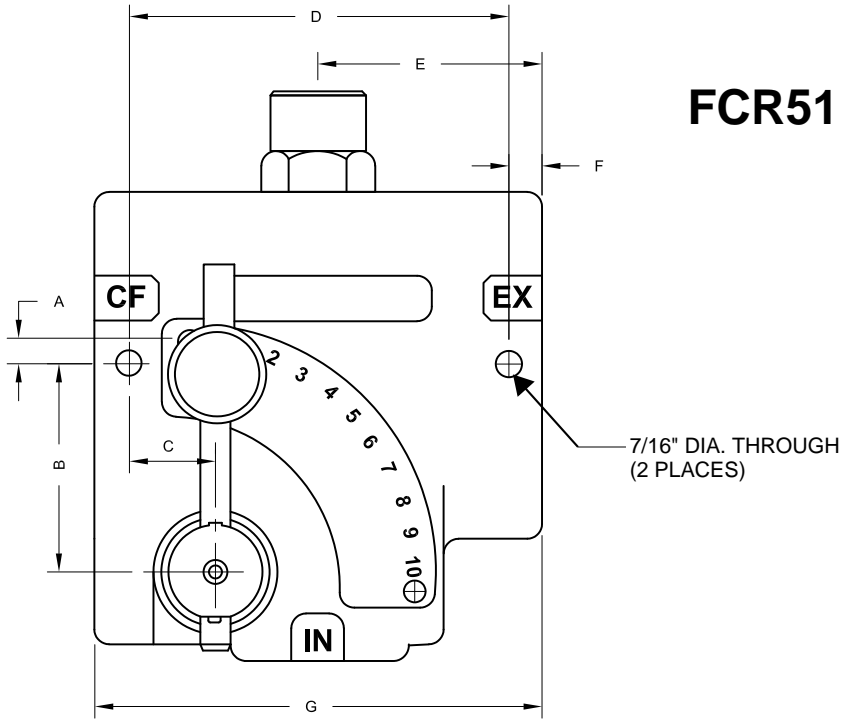
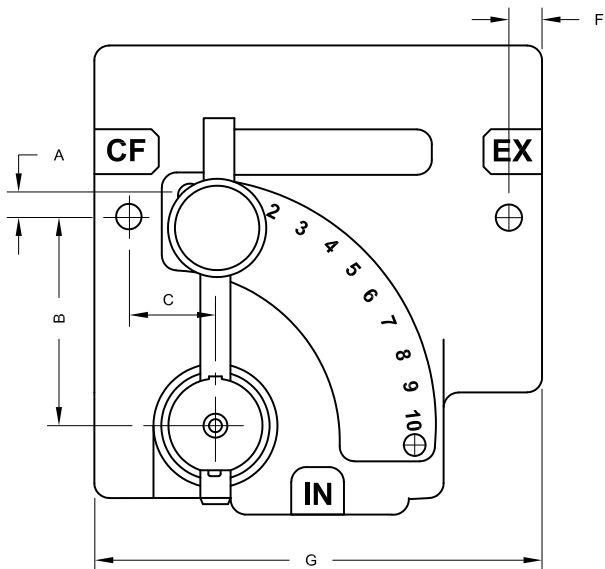
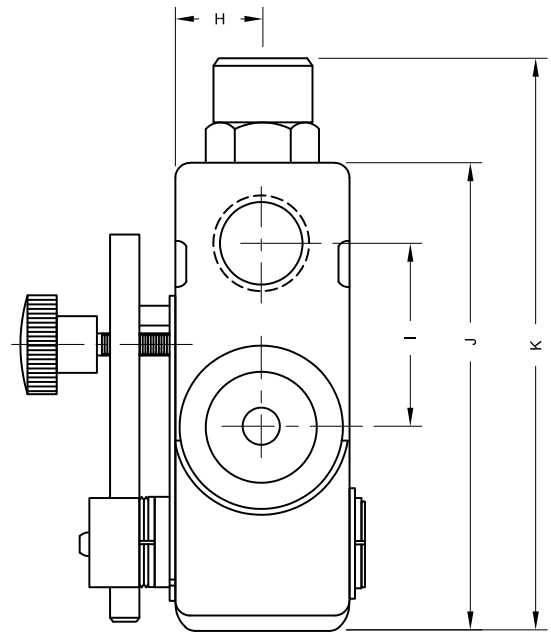


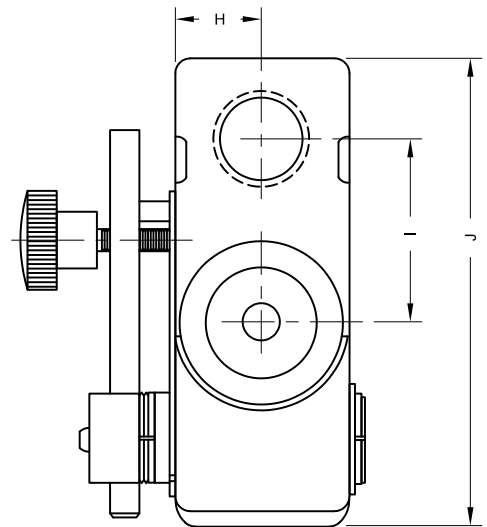
IFP "FC" FLOW CONTROL VALVE INSTALLATION / DIMENSIONS



FCR51



FC51



DIMENSION: INCHES (MILLIMETERS)

	A	B	C	D	E	F	G	H	I	J	K
FCR51	.25 (6.3)	2.13 (54.1)	.88 (22.3)	3.87(98.2)	2.28 (57.9)	.34 (8.63)	4.56 (115.8)	.90 (22.8)	1.87 (47.5)	4.75 (120.6)	5.78 (146.8)
FC51	.25 (6.3)	2.13 (54.1)	.88 (22.3)	3.87(98.2)		.34 (8.63)	4.56 (115.8)	.90 (22.8)	1.87 (47.5)	4.75 (120.6)	